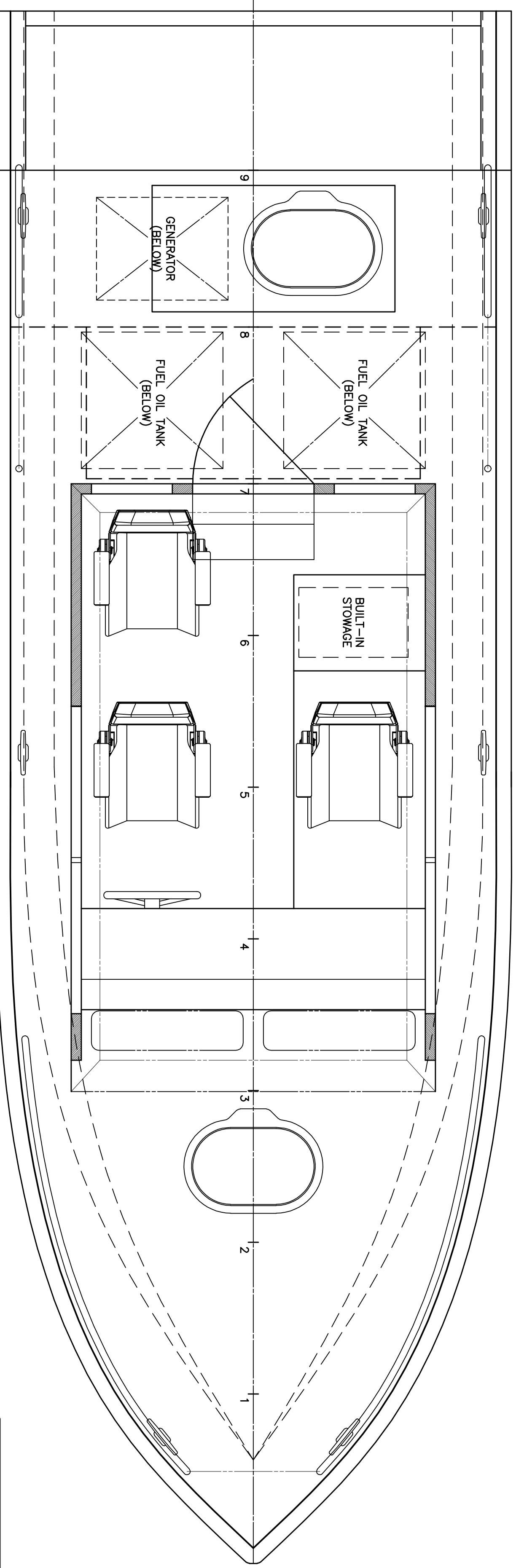
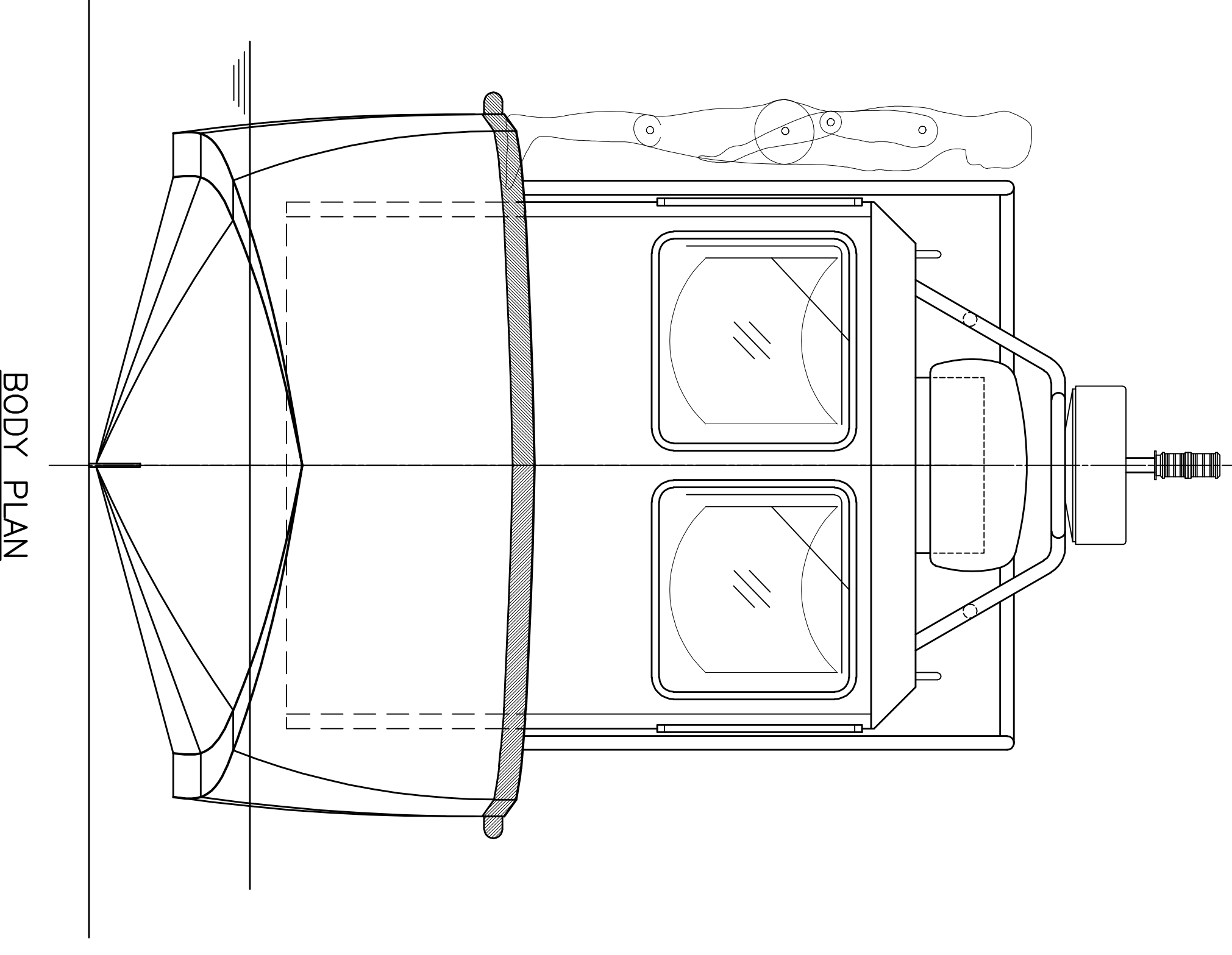
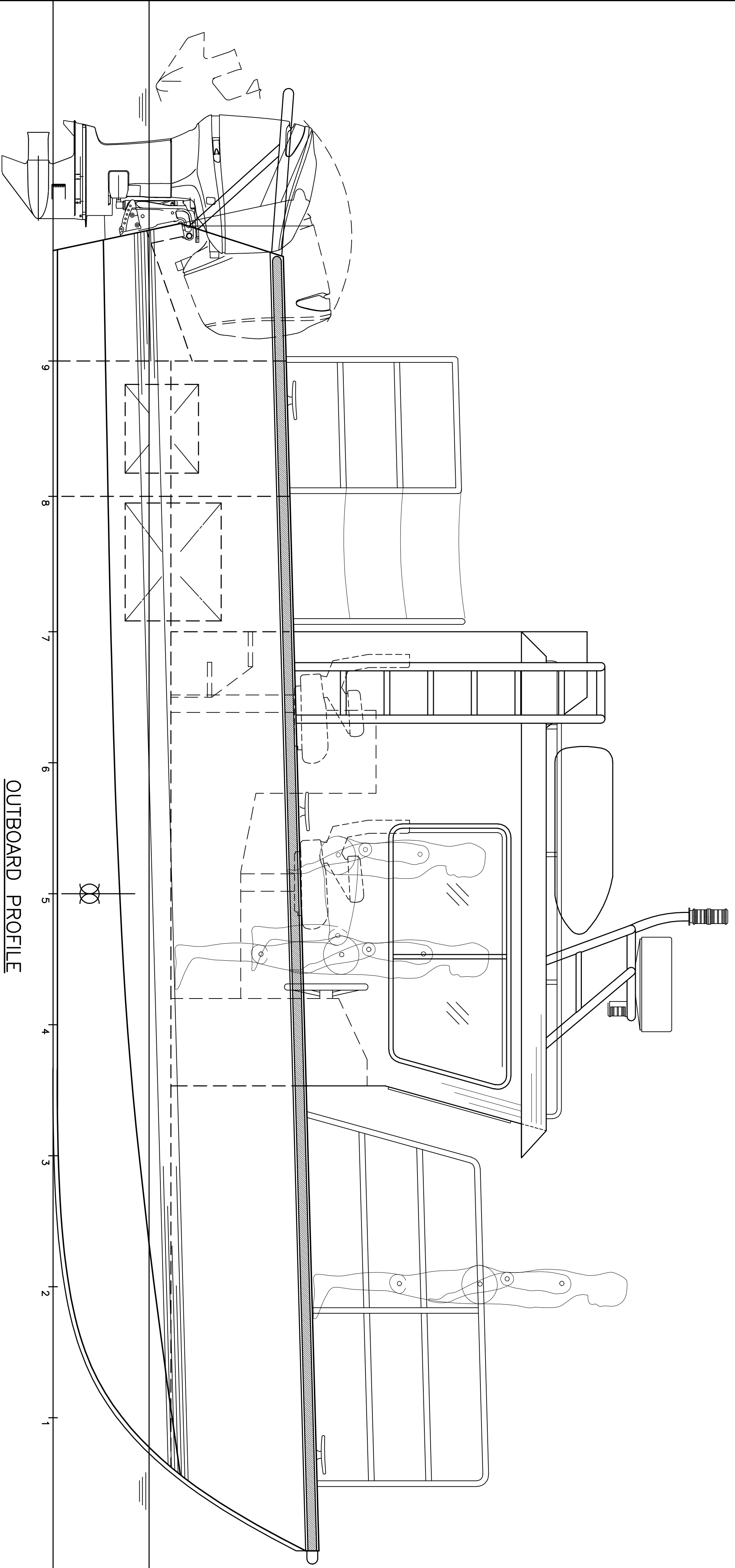


| REVISIONS | | | |
|-----------|-------------|----------|----------|
| LR | DESCRIPTION | DATE | APPROVED |
| - | FIRST ISSUE | 10/29/09 | |



PLAN BY
SEACRAFT DESIGN, LLC
P.O. Box 234, 61 Michigan St.
Sturgeon Bay, WI 54235

KANTER MARINE
CUSTOM YACHTS AND COMMERCIAL CRAFT
9 BARRE BLVD ST THOMAS ONTARIO

DRAWN LRB DATE 10/29/09
APP'D DATE

PROJECT
7.8M HYDROGRAPHIC SURVEY LAUNCH

TITLE
GENERAL ARRANGEMENT

JOB NO. 09035 DWG NO. 801-01 REV. -
SCALE 3/4" = 1'-0" SHEET 1 OF 1